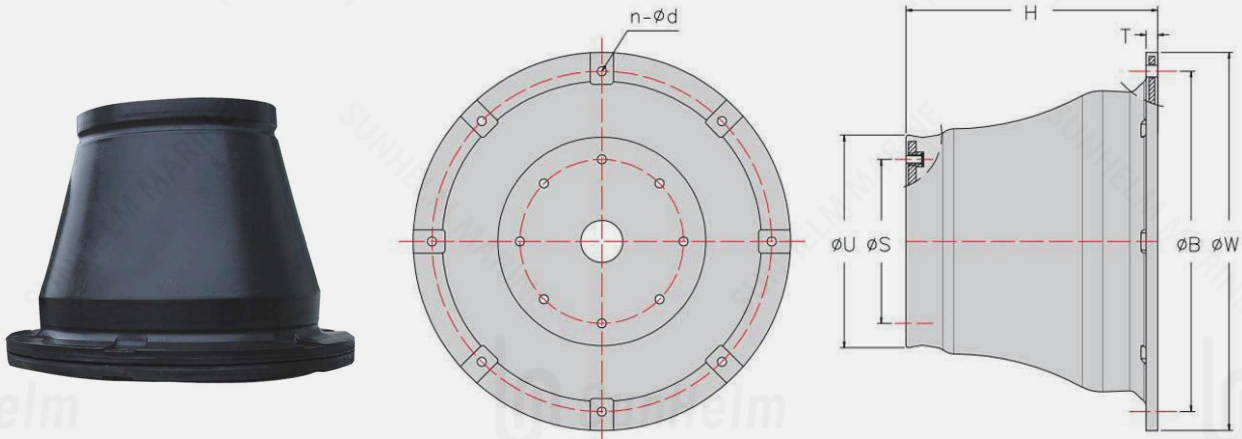


## Size Structure



SPEC. (mm)	H	T	$\phi U$	$\phi S$	CB	CW	CD
500H	500	25	425	325	675	750	30
600H	600	27	510	390	810	900	30
700H	700	32	595	455	945	1050	38
800H	800	36	680	520	1080	1200	44
900H	900	41	765	585	1215	1350	44
1000H	1000	45	850	650	1350	1500	50
1100H	1100	50	935	715	1485	1650	50
1150H	1150	52	998	750	1550	1725	50
1200H	1200	54	1020	780	1620	1800	50
1300H	1300	59	1105	845	1755	1950	60
1400H	1400	66	1190	930	1890	2100	60
1600H	1600	72	1360	1060	2160	2400	70
1800H	1800	78	1530	1190	2430	2700	76
2000H	2000	80	1900	1540	2920	3200	76

\*Fender anchors / head bolts indicated are based on a particular grade of steel. Please contact our local office for precise size, material and type for different grades of fenders pertaining to the project requirements.