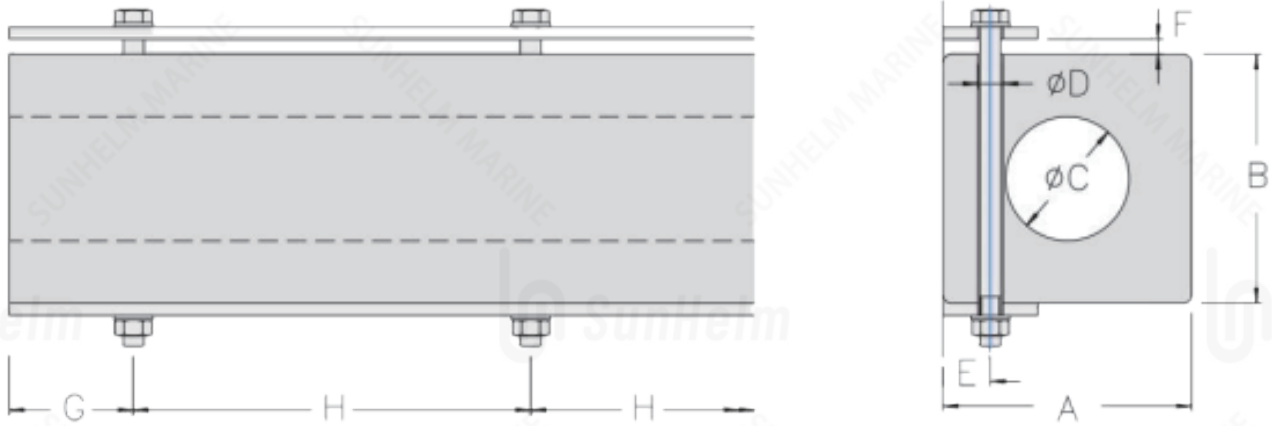


## SBD-O Square Fender Size Structures



SPEC. (mm)	A	B	ØC	ØD	E	F	G	G	FLAT BAR	BOLT SIZE
SBD-O100	100	100	30	20	25	10	100-150	200-300	50×6	M12
SBD-O150	150	150	65	27	30	12	100-150	200-400	60×8	M16
SBD-O200	200	200	75	30	35	15	100-150	300-500	80×10	M24
SBD-O250	250	250	100	33	45	20	100-200	300-500	100×12	M27
SBD-O300	300	300	125	36	55	25	100-200	300-600	110×12	M30
SBD-O350	350	350	150	40	65	25	100-250	300-600	120×12	M30
SBD-O400	400	400	200	45	75	30	100-250	300-600	130×16	M36
SBD-O500	500	500	250	50	95	30	100-250	400-600	130×20	M42

**Note:**

The value specified in the above table is for reference only. The final drawing is subject to the data provided by the customers