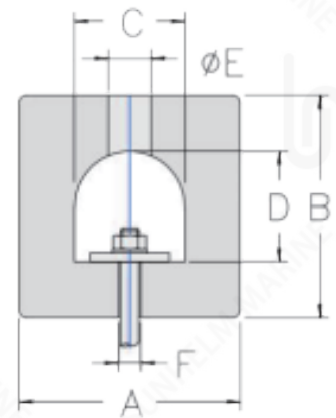
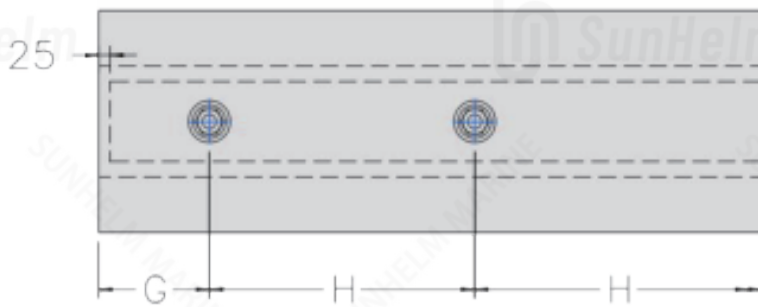


SBD-D Square Fender Size Structures



SPEC. (mm)	A	B	C	D	ϕE	ϕF	G	H	FLAT BAR	BOLT SIZE	BOLT SIZE
SBD-D100	100	100	50	45	30	15	100-150	200-300	40×8	M12	M16
SBD-D150	150	150	70	65	40	20	100-150	200-400	60×10	M16	M20
SBD-D200	200	200	90	95	60	30	100-150	300-500	80×14	M24	M24
SBD-D250	250	250	120	120	65	33	100-200	300-500	90×14	M27	M24
SBD-D300	300	300	125	135	65	35	100-200	300-600	110×16	M30	M27
SBD-D350	350	350	175	175	80	38	100-250	300-600	130×16	M33	M30
SBD-D400	400	400	200	200	80	40	100-250	300-600	150×18	M36	M30
SBD-D500	500	500	250	250	95	46	100-250	400-600	180×20	M42	M30

Note:

The value specified in the above table is for reference only. The final drawing is subject to the data provided by the customers.